

Tested as per MIL 810D

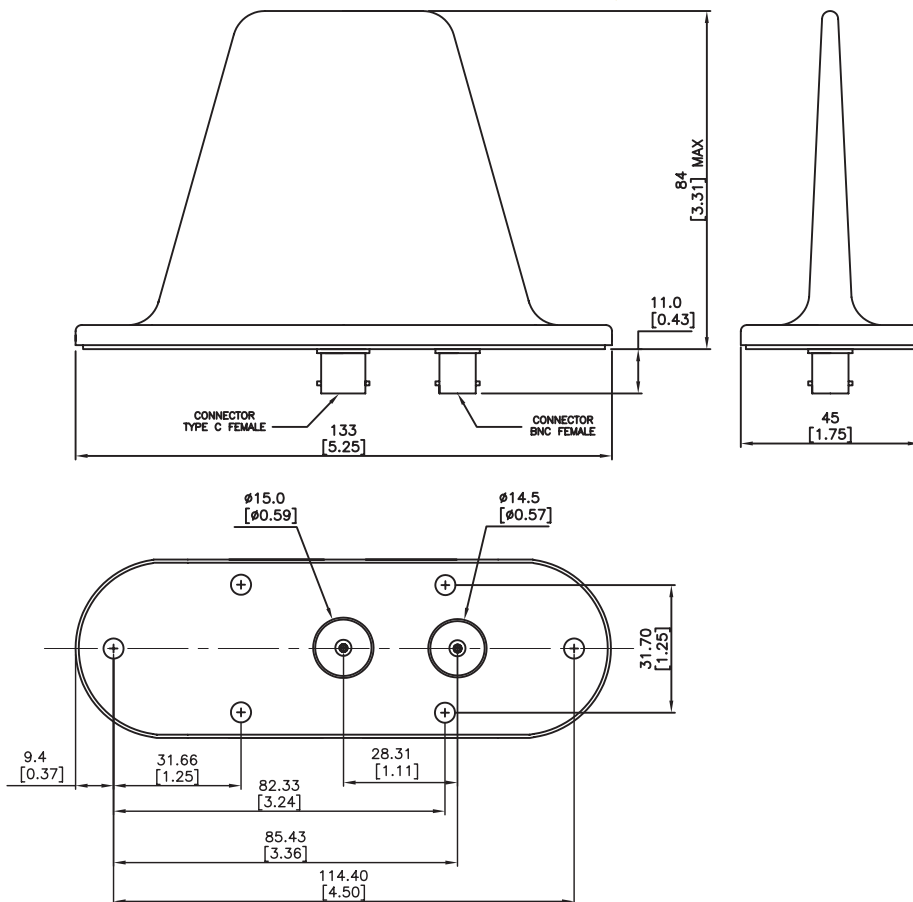


JL 07 is a L-band antenna designed to be used for IFF system. The design ensures excellent omnidirectional pattern over the entire band.. These antennas are designed as low profile, low drag stub antennas capable of withstanding severe environmental conditions. These antennas can be used in high performance Supersonic aircrafts.

ELECTRICAL	
Frequency Range	960 MHz - 1220 MHz
VSWR	1.7:1 (max)
Polarization	Vertical
Radiation Pattern	Omnidirectional in azimuth
Impedance RF	50 Ohms Nominal
Static Protection	DC Grounded
Power RF	4 KW Peak
Test Probe Isolation	16 dB to 19 dB
MECHANICAL	
Weight	163 grams (max)
Height	84 mm (max)
Material	Glass Epoxy
Finish	Gloss
Connector	See Order Options
ENVIRONMENTAL	
Temperature	-55° C to +90° C -70° C to +120° C (Optional)
Altitude	60000 feet
CONNECTOR	
C	Standard for Aerial Feed
BNC	Standard for Test Probe
N	Optional for Aerial Feed
COLOUR	
White	Standard
Black/Other	Optional

SPECIFICATIONS

*Contact us for your customized requirements. Use customization sheet at the end



Dimensions are in mm
Inches shown in bracket

